

MANTOVA

WWW.MANTOVA.COM.AU

HARDWARE

Legs and Mounting Plates

Mantova's Adjustable Stainless Steel Legs and Leg Plates are designed for easy installation to benches and catering equipment. Stainless Steel Legs are adjustable to variations in flooring levels and allow the required Food Safety Regulations access height for cleaning under benches and equipment.

STAINLESS STEEL LEGS

50mm Diameter Stainless Steel Legs supplied with a heavy duty Glass Filled Nylon adjustable foot.

- ▶ Available in 4 Standard sizes



Part No.	Diameter	Dimensions O/A Height	Finish
# 1528	50mm	100mm (4")	Stainless Steel
# 1529		150mm (6")	
# 1530		200mm (8")	
# 1531		250mm (10")	

MOUNTING PLATES

Suit Mantova Stainless Steel Legs



Part No.	Size	Finish
# 1521	3/4" UNC Thread	Zinc Plated
# 1521S	3/4" UNC Thread	Stainless Steel

Bullet Feet

In order to stabilize shelving and tables on flooring that is uneven our range of Bullet Feet offer simple and long lasting solutions.

▶ SQUARE BULLET FEET

to suit 1.2mm thick tube, allowing 30mm Adjustment

Part No.	Details
# 1501	suits 25.4mm x 25.4mm Square Tube
# 1502	suits 32mm x 32mm Square Tube
# 1503	suits 38mm x 38mm Square Tube



▶ MULTI-FIT BULLET FEET

to suit 1.2 - 3mm thick tube, allowing 30mm Adjustment

Part No.	Details
# 1501 16/18	suits 25mm x 25mm Square Tube
# 1502M	suits 32mm x 32mm Square Tube



▶ ROUND TUBE BULLET FEET

to suit 1.2mm thick tube

Part No.	Details
# 1504	suits 50mm Round Tube has 32mm Adjustment



▶ BASE FLANGES

to suit Mantova Bullet feet

Part No.	Details
# 1522	suits Part #1501 and Part #1501 16/18
# 1524	suits Part #1502 and Part#1502M



Adjustable Feet

▶ DISC, LUG + PIN FEET

Adjustable feet allow for variations in floor levels and can be fixed to the floor for extra stability. Adjustable feet can also be used at both ends of a shelf post to tie the shelving unit to the roof and floor.



Adjustable Disc Foot



Adjustable Lug Foot



Adjustable Pin Foot

Name	Part No.	Disc Size	Thread	Stem	Finish
Adjustable Disc Foot	# 1508 70S/16	65mm	16mm	70mm	Stainless Steel
	# 1508/16			105mm	
	# 1508 50D/16	50mm	16mm	70mm	
	# 1508 50DL/16			105mm	
Adjustable Lug Foot	# 1511	38mm	12mm	70mm	Stainless Steel
	# 1509 70S/16	-	16mm	70mm	
Adjustable Lug Foot	# 1509/16	-	16mm	105mm	Stainless Steel
	# 1508P/16	-	16mm	105mm	
Adjustable Pin Foot	# 1508P/16	-	16mm	105mm	Stainless Steel

▶ SLOPEMASTER FEET

The Adjustable Slopemaster foot is suitable for sloping floors. Swiveling on a nylon foot pad which will adjust to all angles. The stainless steel stud will fit all 12mm threaded inserts.



Slopemaster Bolt Down Foot

- ▶ This Slope Master Foot can be bolted to the floor.
- ▶ Bolt hole centres are 80mm apart



Bench Foot

- ▶ Stainless Steel thread
- ▶ Base has a 38mm Foot Pad

Name	Part No.	Height O/A	Thread Length	Thread Size	Finish
Adjustable Slopemaster Bolt Down Foot	# 1545S	170mm	115mm	12mm	Stainless Steel
Bench Foot	# 1523	50mm	35mm	5/16	Stainless Steel

Inserts

▶ SQUARE TUBE INSERTS

Part No.	Details
12mm Thread	
# 1515	suits 25.4mm x 25.4mm Square Tube
# 1506/12	suits 32mm x 32mm Square Tube
16mm Thread	
# 1505/16	suits 25.4mm x 25.4mm Square Tube
# 1506/16	suits 32mm x 32mm Square Tube
20mm Thread	
# 1518B	suits 32mm x 32mm Square Tube

▶ MULTI-FIT INSERTS

Part No.	Details
10mm Thread	
# 1567	suits 25.4mm x 25.4mm Square Tube
12mm Thread	
# 1566	suits 25.4mm x 25.4mm Square Tube
# 1506M/12	suits 32mm x 32mm Square Tube
# 1507M/12	suits 38mm x 38mm Square Tube
# 1519M/12	suits 50mm x 50mm Square Tube
16mm Thread	
# 1526M/16	suits 25.4mm x 25.4mm Square Tube
# 1512M/16	suits 30mm x 30mm Square Tube
# 1506M/16	suits 32mm x 32mm Square Tube
# 1507M/16	suits 38mm x 38mm Square Tube
# 1519M/16	suits 50mm x 50mm Square Tube
20mm Thread	
# 1506M/20	suits 32mm x 32mm Square Tube

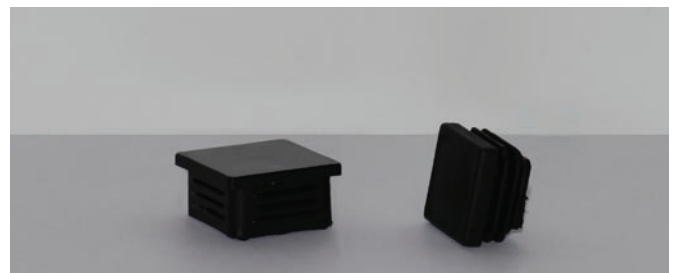
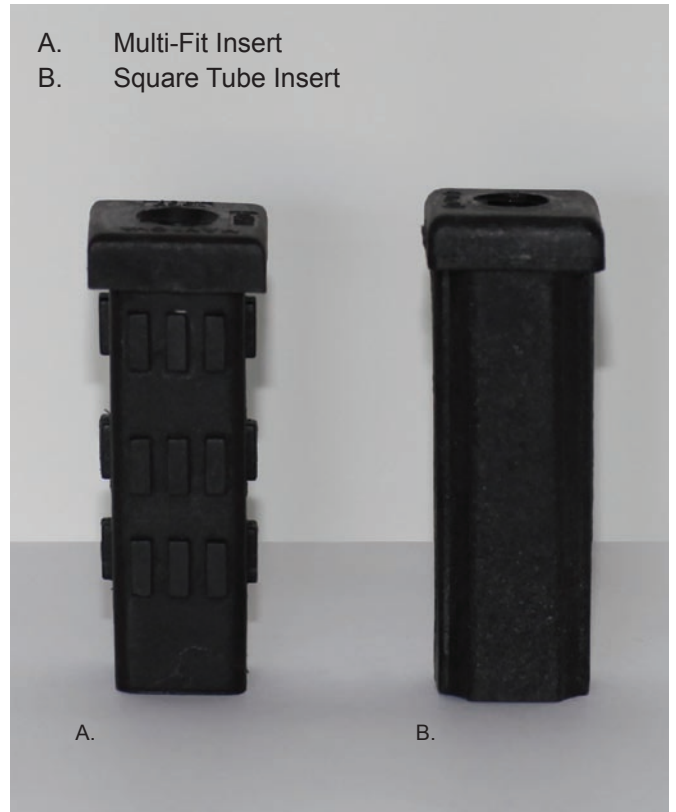
▶ ROUND TUBE INSERTS

Part No.	Details
10mm Thread	
# 1562	suits 25.4mm Round Tube
12mm Thread	
# 1561	suits 25.4mm Round Tube

▶ TUBE CLOSURES

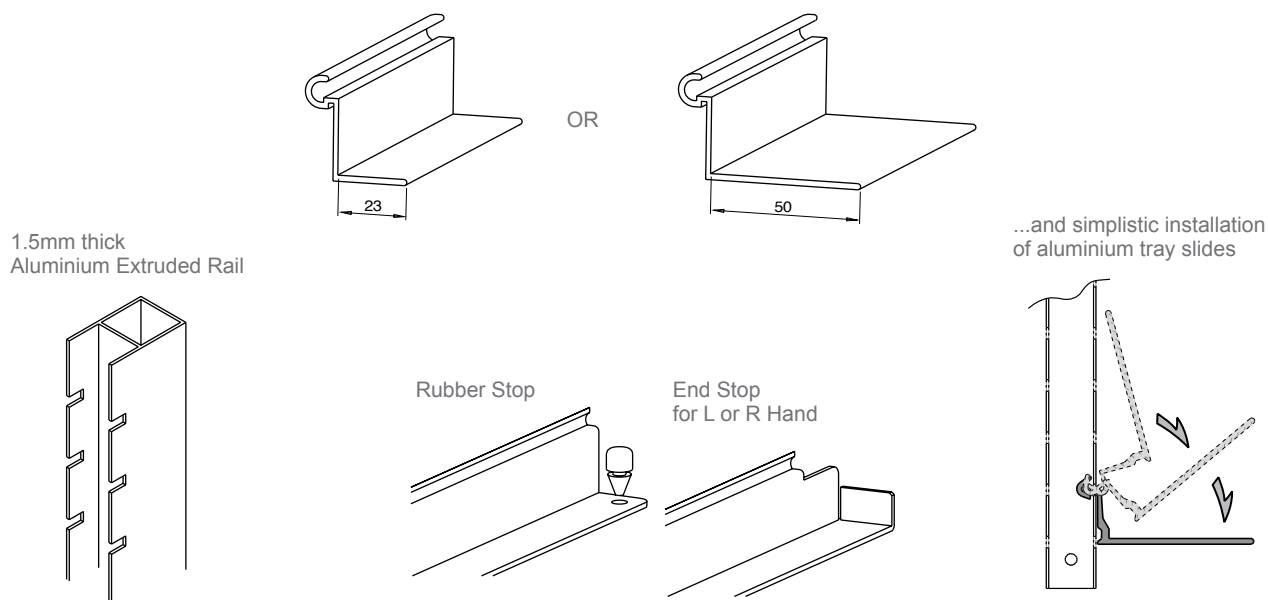
Part No.	Details
# EC20	suits 16 and 18 gauge 19-20mm x 19-20mm Square Tube
# EC25	suits 18 gauge 25.4mm x 25.4mm Square Tube
# EC32	suits 18 gauge 32mm x 32mm Square Tube
# EC38	suits 18 gauge 38mm x 38mm Square Tube

▶ All Black Nylon



Aluminium Tray Slide Components

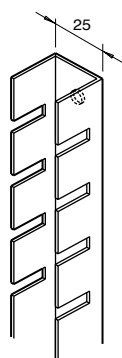
Mantova Aluminium Tray Slide will custom fit to any application with simplicity and ease - use pop rivets, screws or weld. Mantova Aluminium Tray Slides provide adjustable shelving variations that are extremely versatile.



All Purpose Series - 2mm Thick Tray Slides

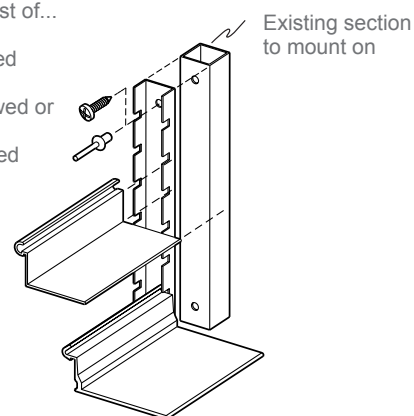
Part No.	Description - Lengths to Suit	Size	Finish
# AAS 356	Glass Baskets	14" x 14" (356mm long)	Aluminium
# AAS 423		17" x 14" (423mm long)	
# AAS 400		400 x 400 (400mm long)	
# AAS 500		500 x 500 (500mm long)	
# AAS 736	Pastry Wire 29"	736mm long	
# AAS 650	Gastronorm Tray	650mm long	

1.5mm thick Stainless Steel channel support uprights



Assembly methods consist of...

- welded
- screwed or
- rivetted



Stainless Steel Uprights

Part No.	Description	Size	Finish
# SSNC897/25	Notched Channel	897 x 25mm	Stainless Steel
# SSNC620/25		620 x 25mm	

Castors

3" (75mm) WHEEL



5" (125mm) WHEEL

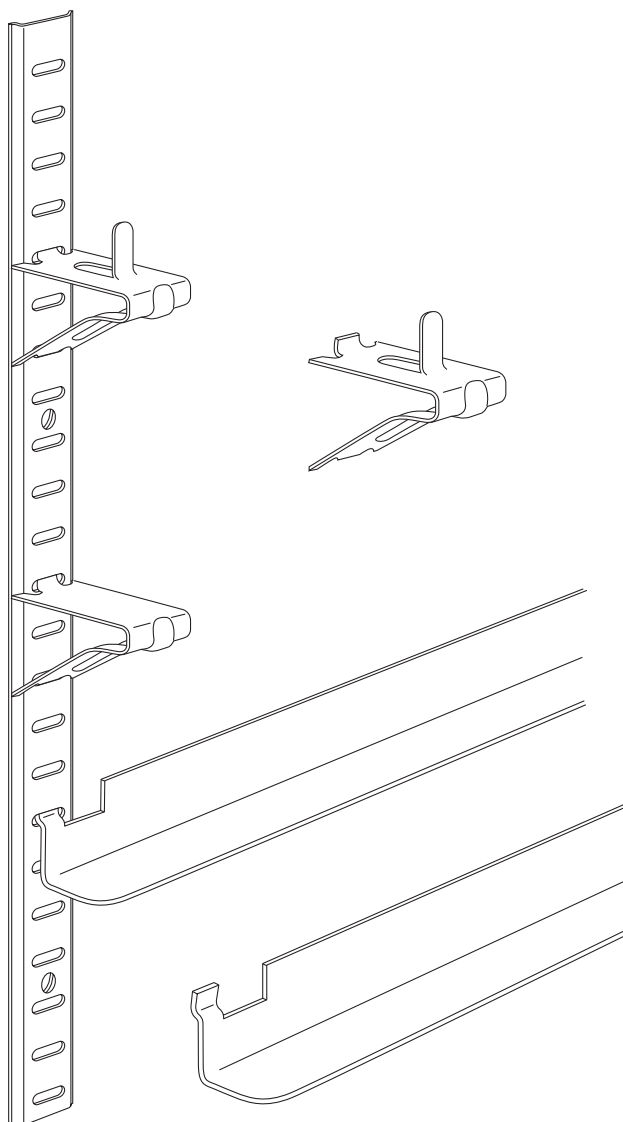


Part No.	Details
# 1536	Castor fits to leg mounting plate
# 1537	Castor fits to leg mounting plate

Part No.	Details
# 1539/16	16mm Thread, Grey Rubber
# 1540/16	16mm Thread, Grey Rubber

Shelving Strips and Clips

Strip accommodates large clips, with and without lugs. All easily clip into slots on strip. Tray slides available for gastronorm pastry trays and glass washing basket sizes.



Shelf Strip

Part No.	Size	Finish
# 1601	3' Length	Stainless Steel
# 1603	4' Length	
# 1604	5' Length	

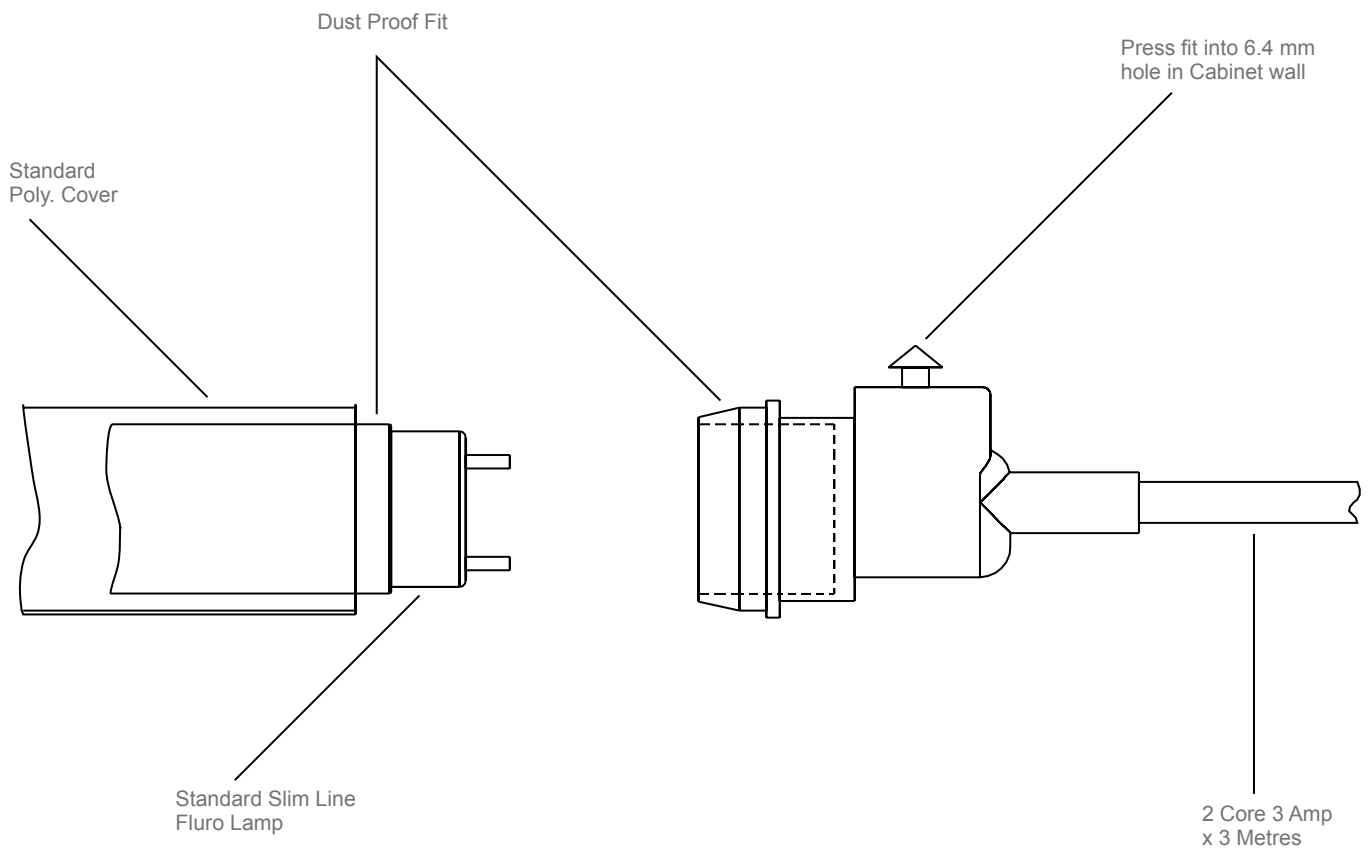
Shelf Clip

Part No.	Details	Finish
# 1615	Large Plain	Stainless Steel
# 1616	Large with Lug	

Tray Slide

Part No.	Details	Finish
# 1629	for Gastronorm 600mm L	Stainless Steel

Fluro Tube Lead



Part No.	Description
# 1640A	Fluro Tube Lead

3 ENTERPRISE CCT
PRESTONS NSW 2170
SYDNEY AUSTRALIA

T +61 2 8783 0744

F +61 2 8783 0755

E sales@mantova.com.au

WWW.MANTOVA.COM.AU