



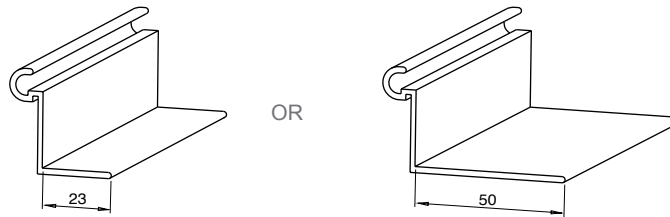
Aluminium Tray Slide Components

Mantova Aluminium Tray Slide will custom fit to any application with simplicity and ease - use pop rivets, screws or weld. Mantova Aluminium Tray Slides provide adjustable shelving variations that are extremely versatile.

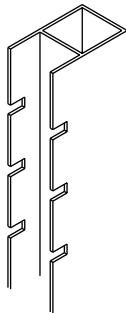
ALL PURPOSE SERIES

2mm Thick Aluminium Tray Slides

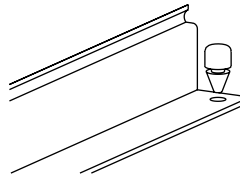
- Part # AAS 356
- Part # AAS 400
- Part # AAS 432
- Part # AAS 500
- Part # AAS 650
- Part # AAS 736



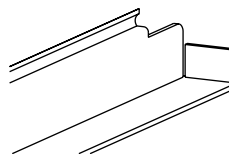
1.5mm thick
Aluminium Extruded Rail



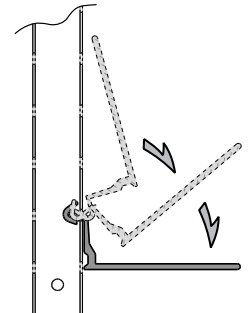
Rubber Stop



End Stop
for L or R Hand

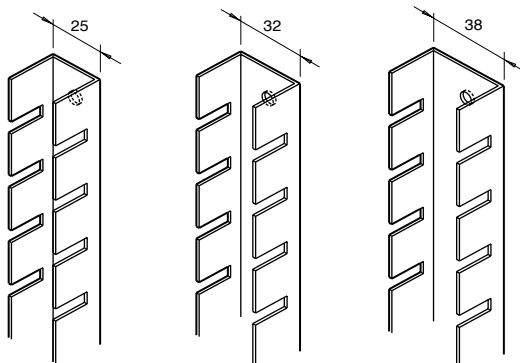


...and simplistic installation
of aluminium tray slides



STAINLESS STEEL UPRIGHTS

1.5mm thick
Stainless Steel channel support uprights



Assembly methods
consist of...

welded

screwed or

rivitted

